



Measurement Systems
International
Introduces the

MSI-9260

Motion Compensated
Crane Scale for

SCRAP METAL WEIGHING and RECYCLING

A weighing system specifically designed for the scrap metal industry! The MSI-9260 provides fast and accurate weights with each lift, providing the ability to total material weights without a static scale. This eliminates the double handling of material, overloaded or under-loaded vehicles, and takes out the guesswork involved in blending operations, thus providing dramatic cost savings to your operation.

The MSI-9260 is the result of years of development and testing in the scrap metal industry, and is well suited to even the harshest of applications. Its state-of-the-art motion compensation technology provides quick and

accurate acquisition of weights, even with swinging loads, making your weighing time faster than traditional methods of weighing.

Key Features

- **Easy installation:** The crane scale easily installs between the crane boom and magnet. Because it is battery powered and uses radio communications, there is no wiring to be installed or destroyed.
- **Durable and serviceable:** Years of testing in harsh scrap yard environments has proven the reliability and serviceability of the equipment. An easily accessible compartment allows for fast battery

charging and/or electronics replacement.

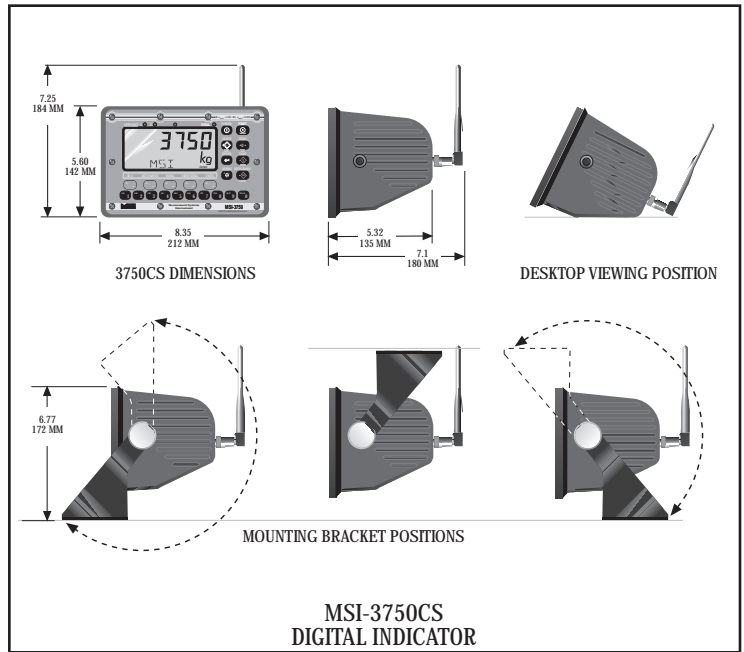
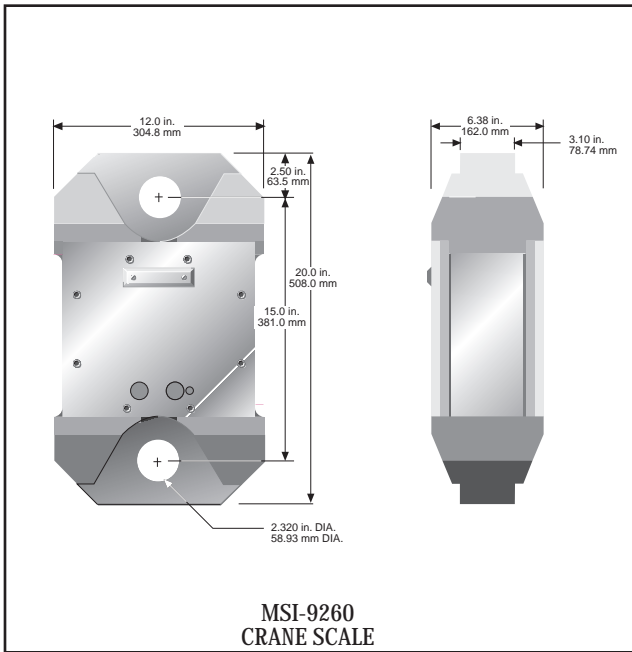
Simple operator interface

The standard system includes a simple digital weight display in the crane cab that not only shows the lift weight, but also totals a series of lifts allowing car or blend weight determination. Audible and visual signals indicate to the operator when the weight has been acquired and a drop can be made.

Superior service and support

MSI utilizes a support staff consisting of a worldwide network of factory trained dealers to provide you the best in service and support.

MOTION COMPENSATED MSI-9260 CRANE SCALE / MSI-3750CS DIGITAL INDICATOR – SPECIFICATIONS



System Specifications

Capacity:
50,000 lb./22,500 kg
Overload:
Safe - 200% Ultimate - 500%
Resolution:
Standard 50 lb./20 kg
Higher resolution is possible with increased in-motion settling time.
Accuracy:
Net Static - 0.5% ± 1 division - applied load
Net In-Motion - 3% per lift.
1% cumulative accuracy on loaded rail car, barge, or truck, 20 tons and up.
Servicing:
Electronics (including the modem and antenna) are mounted on a single plate. The entire plate can be removed without taking the crane out of service. With spare electronics, the system can be repaired in less than 15 minutes.
Weight:
Crane Scale - 210 lb./95 kg
With top and bottom shackle - 314 lb./142 kg
Calibration:
Via MSI-3750CS indicator. Recommended calibration interval 6 months.
Temperature/Operating and Storage :
-40° F to 140° F (-40° C to 60° C)

Crane Scale Specifications

Electronics:

- Highly integrated radio modem: 2.4 GHz frequency hopping spread spectrum.

- Bright, sunlight viewable power indicator. Battery status is indicated on the MSI-3750CS Indicator.
- Comm port, RS232, baud rates to 230.4k. Provides programming and diagnostic port.
- Software updates can be installed without taking the system out of service.

Battery and Charging:

- 12V sealed lead acid battery provides typically 32 hours of continuous use.
- 115/230 VAC external fast charge battery charger.

Crane Scale Housing:

- 4340 steel/o-ring gaskets. NEMA 6/IP67. All electronics are shock mounted.
- Designed specifically for over magnet installation on hydraulic cranes. Contact MSI for information on grapple installations and cable crane applications.
- Top and bottom 50 ton shackle.

MSI-3750CS Specifications

- Remote Power:**
- The MSI-3750CS can turn off the crane scale remotely.
- Totalization and ID:**
- Internal or external push button trigger on 3750CS or Automatic. Total weight up to 99,999,999. Lift counter up to 65535.
 - Up to 32 ID's can be stored and identified in alphanumeric format. Each ID stores totals.

Real Time Clock:

- Supports date/time stamping in US or European format.
 - Memory backed by replaceable Lithium Battery (Typical life > 5 years).
- Display:**
- Backlit LCD, visible in full daylight. 6-digit weight reading, 8-digit total reading or alphanumeric message.
- Housing:**
- Cast aluminum NEMA 4/IP65.
- RS232 Comm Port:**
- Available for printer drive or connection to a mobile computer.
- RF Range:**
- 1000 ft./300 m.
- Power:**
- 9-36 VDC standard
 - 18-60 VDC, 90-260 VAC or 250 VDC optional.
- Keypad:**
- 23 keys – 5 user programmable, 10 key alphanumeric and 8 scale control keys.
- Calibration:**
- Concealed calibration switch can be sealed. Calibration constants are stored in the crane scale.
- Totalize Input:**
- Direct interrupt input for totalization joystick button or foot switch. (Switch not included).
- Totalize Indication:**
- Audible and visual alarms indicate when an accurate weight has been registered.

“We weigh quality first”

 **Measurement Systems International**
14240 Interurban Avenue South
Seattle, Washington 98168-4660 U.S.A.
Phone: 206-433-0199 • Fax: 206-244-8470
Web: www.msiscales.com • Email: info@msiscales.com



Specifications subject to change without notice.
Printed in U.S.A.
PUB.265-10-00A
© 2002 by Measurement Systems International, Inc.